

# Overall Dimensions and performance parameters of DCL-Ex05 Explosion proof Type

Type Performance Parameters	DCL—Ex05				
	DC24V	AC24V	AC110V	AC380V	AC220V
Motor Power	13W	10W	10W	6W	10W
Rated Current	1.82A	1.50A	0.24A	0.07A	0.15A
Standard Time/Torque	20S/50Nm				
Optional Time/Torque	4S/20Nm 10S/30Nm			4S/20Nm 10S/30Nm 60S/50Nm	
Turning Angle	0 ~ 360° Adjustable				
Available Control Circuit	Types of A、B、C、D、E、F、G、H				
Total Weight	3.0kg				
Insulating Resistance	DC24/AC24V: 100MΩ/250VDC AC110V/AC220V/AC380V: 100 MΩ/500VDC				
Withstand Voltage Class	DC24/AC24V: 500VAC 1minutes, AC110V/AC220V:1500VAC 1minutes, AC380V:1800VAC 1minutes				
Protection Class	IP68				
Explosive-proof grade	Exd II BT4Gb				
Installation Angle	360° at any angle				
Electric Interface	2-M20×1.5 explosion-proof plug ,clients should install corresponding explosion-proof cable connector when using according to the cable selected.				
Ambient Temperature	-20℃ ~ +60℃				
Optional Function	◆Heater for eliminating moisture				



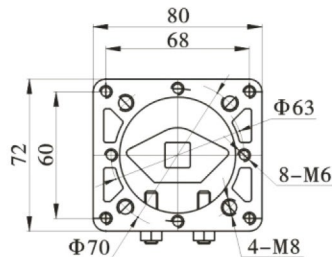
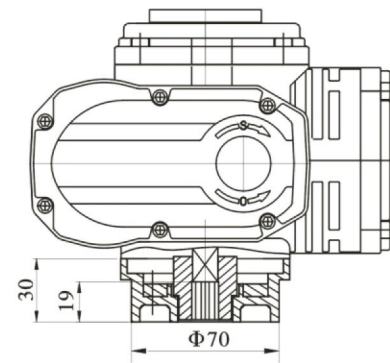
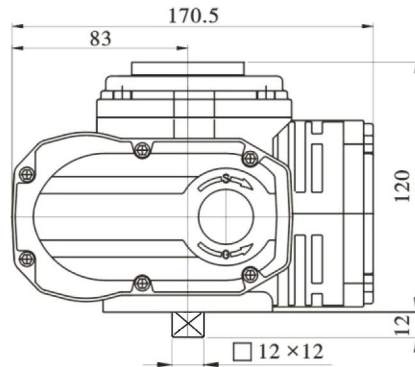
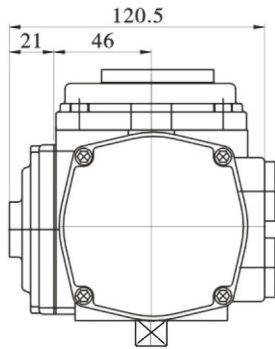
Explosion-proof standard type



Explosion-proof Direct Installation Type

## Explosion-proof standard type

## Explosion-proof Direct Installation Type



Parameters for direct installation	
Square	□9 × 9 □11 × 11 □14 × 14
Flange	F03 F05 F07
Valve stem	Height ≤ 19mm

